

N2018光电倍增管

25mm/(1")/Head-on type/10-stage



应用领域 Application 产品特点 Features

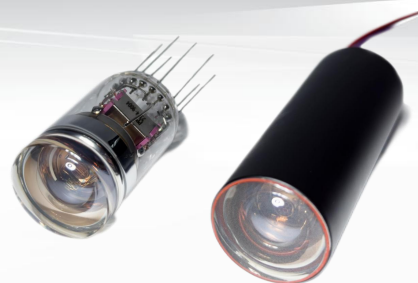
- | | |
|--|--|
| <ul style="list-style-type: none"> ● 石油测井
Oil well logging ● 地质勘测
Geological exploration | <ul style="list-style-type: none"> ● 耐高温特性
High temp. resistance ● 加固、紧凑结构
Ruggedized, low profile structure |
|--|--|

技术参数 Technical Parameters

玻璃材料/Window material		硼硅玻璃/ Borosilicate glass			
光电阴极/Photocathode material		高温双碱/High temp. bialkali			
倍增结构/Dynode structure		圆笼+线性聚焦/Circular and linear focused			
冲击/Shock		5000 m/s ² (500g) 0.5ms			
振动/Sine vibration		200 m/s ² (20g)			
最大温度/Maximum temperature		175 °C			
		Min	Typ	Max	Unit
Cathode Sensitivity 阴极参数	阴极有效直径/Cathode effective diameter	22			mm
	光谱范围/Spectral response	290-650			nm
	量子效率峰值波长/Quantum efficiency peak wavelength		380		nm
	量子效率/Quantum efficiency		12		%
	积分灵敏度@25°C/Luminous sensitivity@25°C	20	40		μA/lm
	蓝光灵敏度@25°C/Blue sensitivity@25°C	4	6		μA/lm
Anode Sensitivity 阳极参数	阳极积分灵敏度@25°C/Anode luminous sensitivity@25°C	8	20		A/lm
	工作电压/Supply voltage		1500	1800	V
	增益@25°C/Gain@25°C		5×10 ⁵		--
	暗电流/Dark current		0.1 @25°C	10 @25°C 1000 @175°C	nA
Response 时间参数	上升时间/Rise time		1.5		ns
	渡越时间离散/TTS		15		ns

N2018-01 光电倍增管

25mm/(1")/Head-on type/10-stage



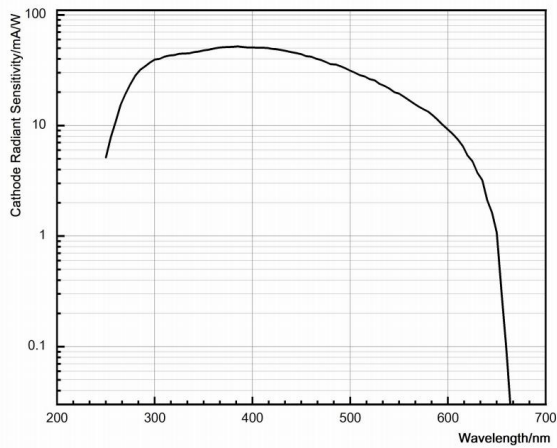
应用领域 Application 产品特点 Features

- 石油测井
Oil well logging
- 地质勘测
Geological exploration

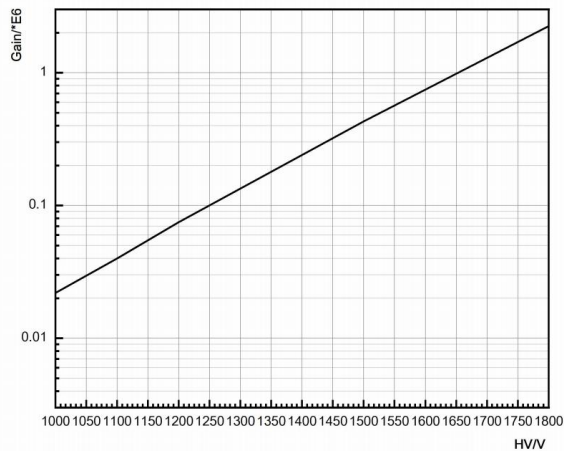
- 耐高温特性
High temp. resistance
- 加固、紧凑结构
Ruggedized, low profile structure

技术参数 Technical Parameters

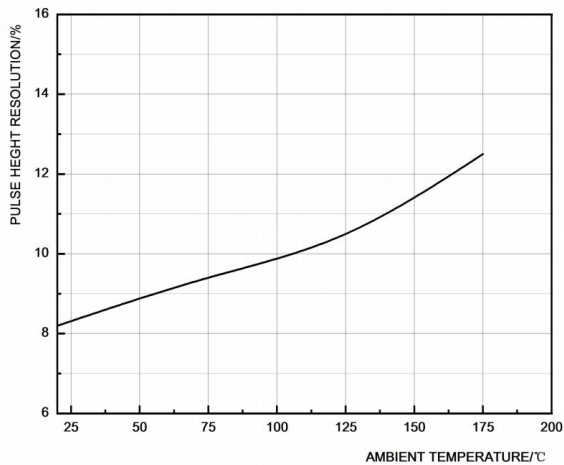
玻璃材料/Window material		硼硅玻璃/ Borosilicate glass			
光电阴极/Photocathode material		高温双碱/High temp. bialkali			
倍增结构/Dynode structure		圆笼+线性聚焦/Circular and linear focused			
冲击/Shock		5000 m/s ² (500g) 0.5ms			
振动/Sine vibration		200 m/s ² (20g)			
最大温度/Maximum temperature		90°C			
		Min	Typ	Max	Unit
Cathode Sensitivity 阴极参数	阴极有效直径/Cathode effective diameter	22			mm
	光谱范围/Spectral response	290-650			nm
	量子效率峰值波长/Quantum efficiency peak wavelength		380		nm
	量子效率/Quantum efficiency		12		%
	积分灵敏度@25°C/Luminous sensitivity@25°C	20	30		μA/lm
	蓝光灵敏度@25°C/Blue sensitivity@25°C	3	4.5		μA/lm
Anode Sensitivity 阳极参数	阳极积分灵敏度@25°C/Anode luminous sensitivity@25°C	5	10		A/lm
	工作电压/Supply voltage		1500	1800	V
	增益@25°C/Gain@25°C		3.3×10 ⁵		--
	暗电流/Dark current		0.1 @25°C	10 @25°C 20 @90°C	nA
Response 时间参数	上升时间/Rise time		1.5		ns
	渡越时间离散/TTS		15		ns



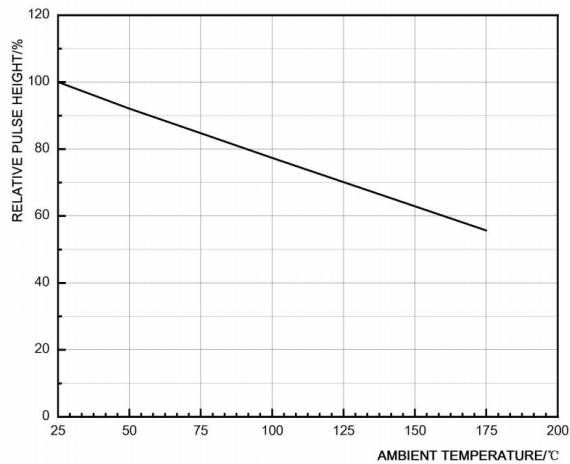
典型光谱响应曲线
Typical spectral response characteristics



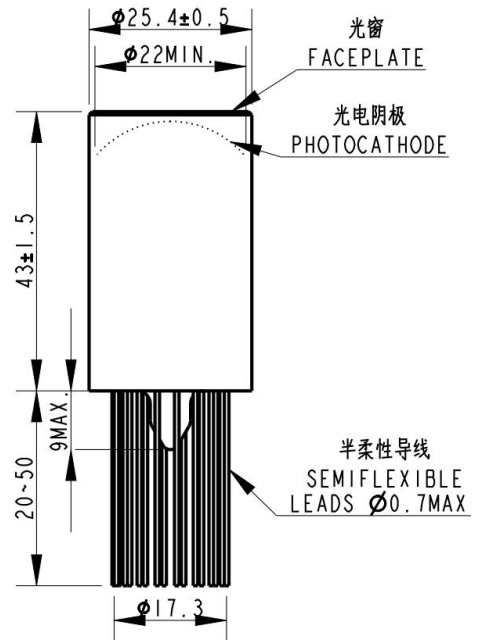
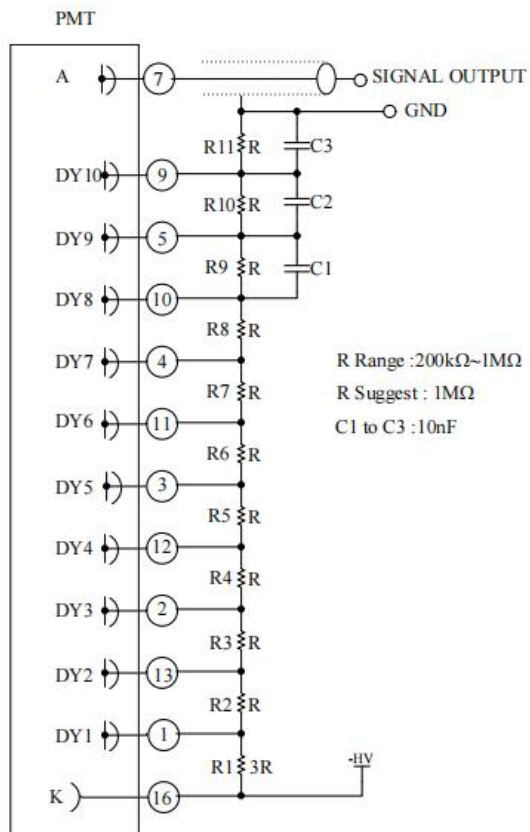
典型增益曲线
Typical gain characteristics



能量分辨率随温度变化图
Typical pulse height resolution as a function of temperature



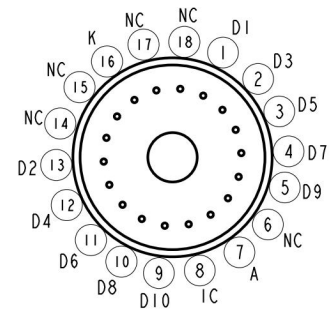
增益下降率随温度变化图
Typical pulse height as a function of temperature



电极	K	Dy1	Dy2	Dy3	Dy4	Dy5	Dy6	Dy7	Dy8	Dy9	Dy10	A
分压比	3	1	1	1	1	1	1	1	1	1	1	1

K: 阴极; Dy: 打拿极; A: 阳极

K: Cathode ; Dy: Dynode; A: Anode



N2018 型光电倍增管外型结构及管脚定义图
N2018 PMT dimensional outline and basing diagram

N2018型光电倍增管分压比图
N2018 PMT voltage distribution ratio